

# in.k455

audio wired remote control with display



## TechBook

Giving full control to wet fingers!



*Aeware*  
by gecko



Table of contents

overview ..... 3

function/ icon description ..... 4

installation

- drilling template ..... 5
- installation in.k455 with adhesive..... 6

connections

- connecting in.k455 to the in.xm set up..... 7
- connecting in.k455 directly to in.tune ..... 8

functions

- on/off key..... 9
- source key ..... 9
- band key ..... 9
- track down key ..... 9
- track up key ..... 10
- up/down key ..... 10

specifications ..... 11



 Australian Spa Parts



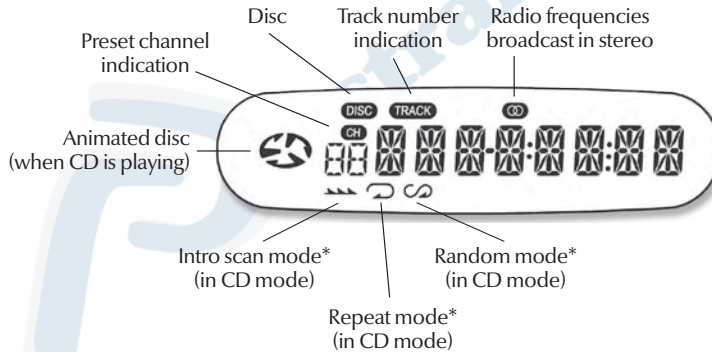
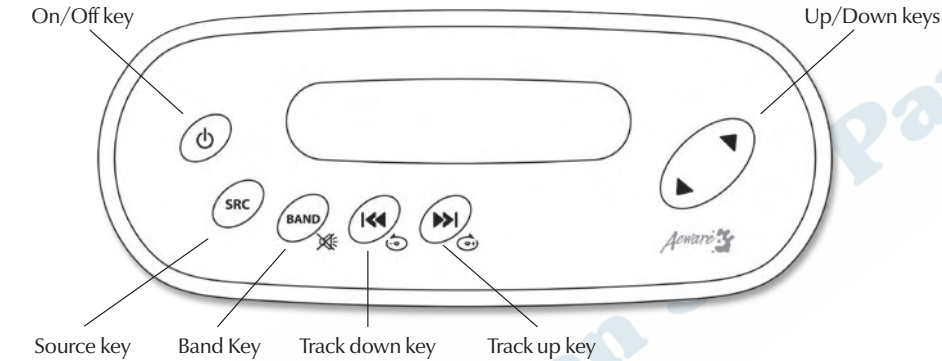
## in.k455

Compact series of wired remote controls with display

In.k455 is an audio wired remote control for Aeware's in.tune am/fm receiver/cd player that features a large LCD display with easy to read characters, intuitive icons and 7 backlit raised keys.

This new series of audio-featured keypads comes in a waterproof plastic enclosure and can be integrated to Aeware's in.xm spa systems or connected to an in.tune stand-alone application.

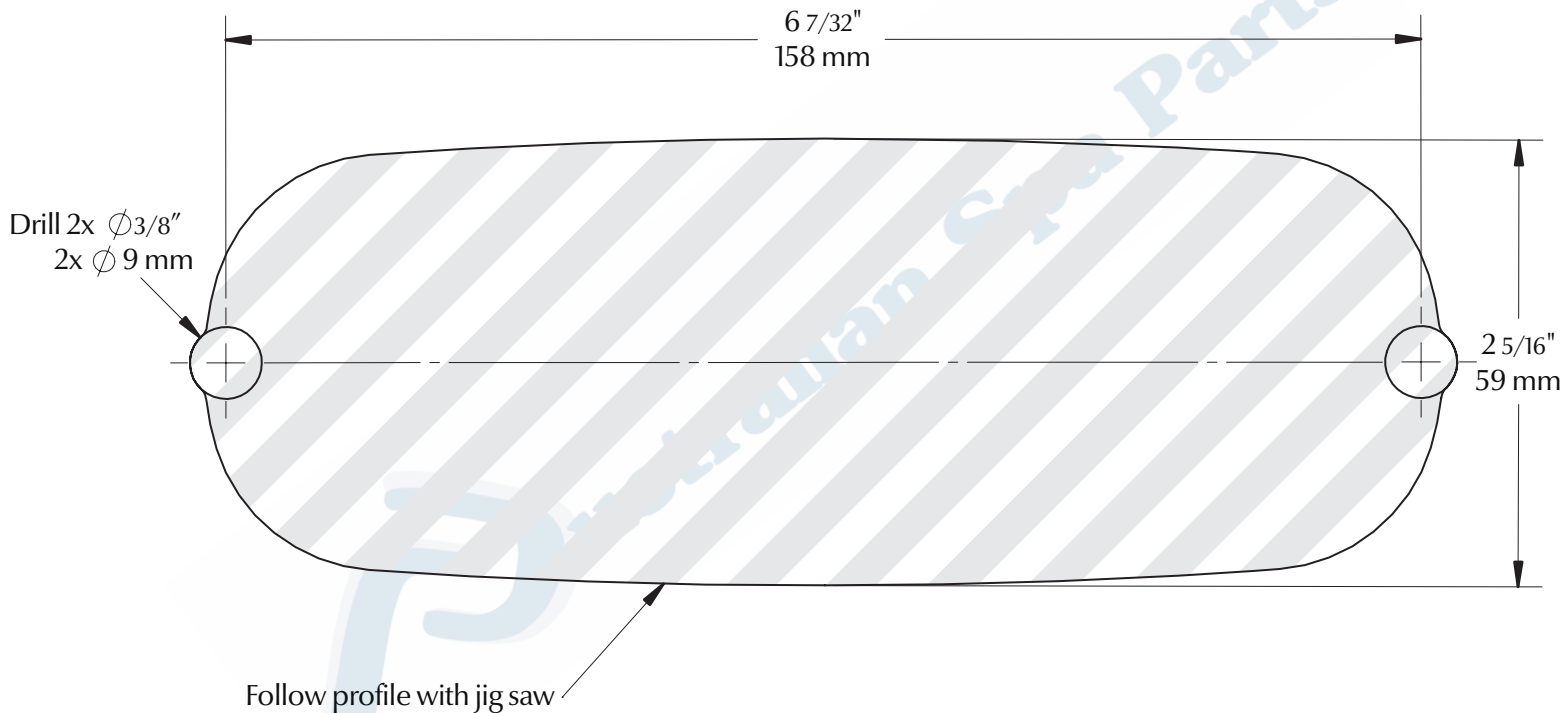
Easy to install, in.k455 comes with a mini-din connector.



\* Option accessible through the in.tune only



Drilling template

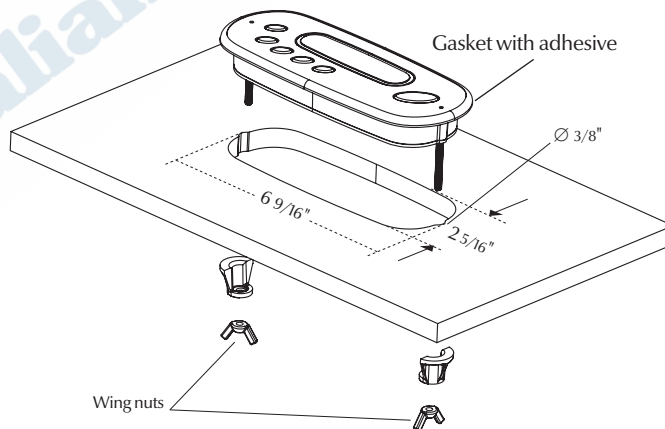
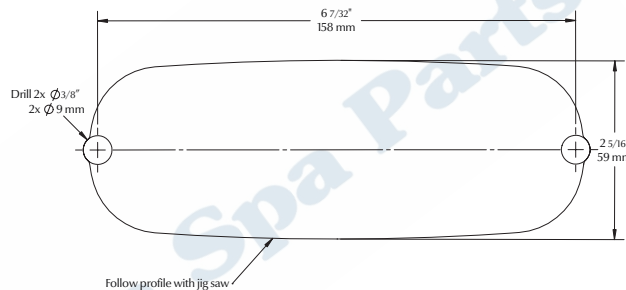




## Installation in.k455 with adhesive

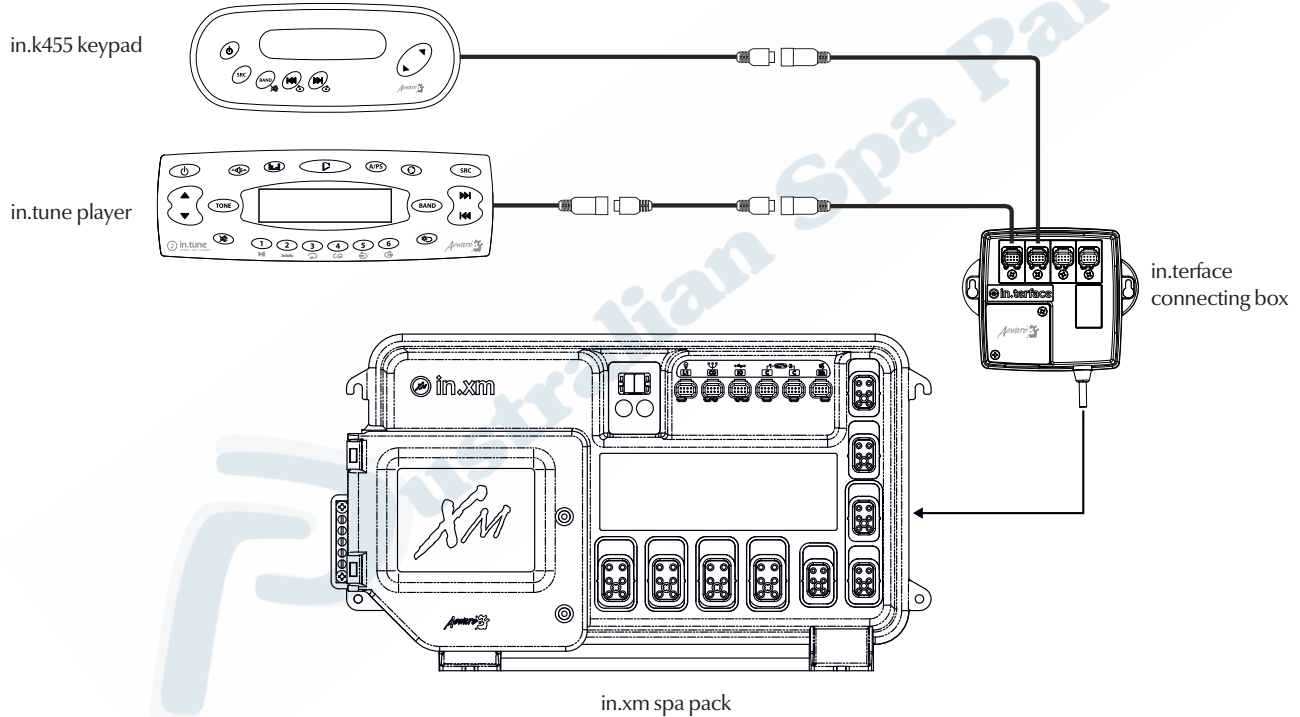
The keypad should be installed directly onto the spa (or very close to it) so that it is easily accessible to the user.

- Using the drilling template supplied with the unit, determine the mounting location and then stick the template on the location.
- Drill two 3/8" (9 mm) diameter holes at 6 7/32" (158 mm) from center to center, in the exact position according to the drilling template.
- Cut out and remove the material between the two holes following the profile with a jig saw (see illustration).
- Clean the installation surface and peel the adhesive gasket from the back of the keypad.
- Insert keypad and align it correctly, then secure it properly in place by using the two wing nuts provided.





### Connecting in.k455 keypad to the in.xm set up

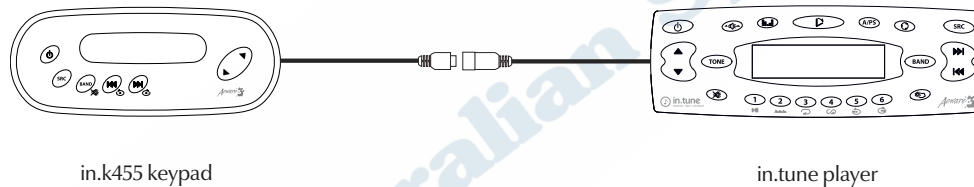


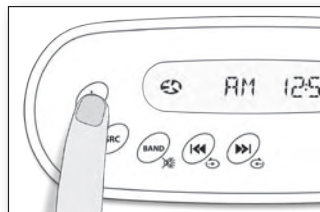




## Connecting in.k455 keypad directly to in.tune

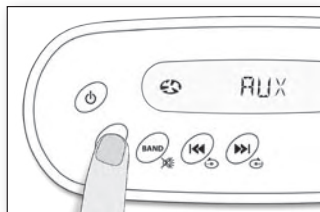
The in.k455 keypad can be connected directly to the in.tune player.





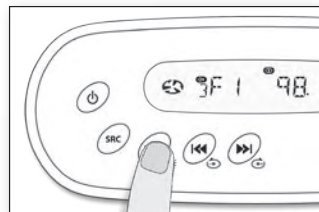
### On/Off key

Press **Power** to turn unit On/Off.



### Source key **SRC**

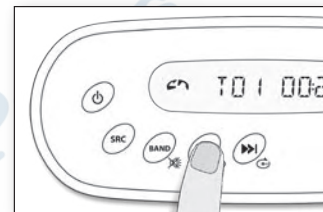
Select the source: (Tuner/CD/CD Changer/AUX).



### Selecting radio band

Press to select the **BAND**. Each time this button is pressed, the band changes between FM1, FM2, FM3, AM1, AM2, WB (WEATHER).

Press and hold the **BAND** key to mute the audio output. Press and hold it again to return to previous volume level.

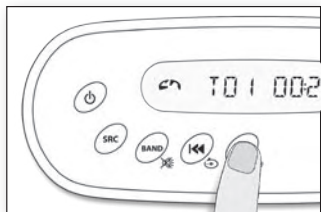


### Track down key

**Radio mode:** Quick press to skip to the previous memorized radio station (Preset Station).

**CD mode:** Quick press to skip to previous song.

**CD Changer mode:** Quick press to skip to the beginning of the song currently playing. Press and hold key to skip to the previous album.

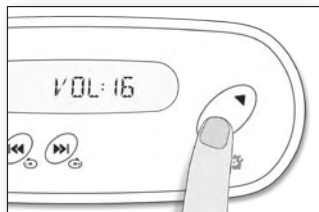


 Track up key

**Radio mode:** Quick press to skip to the next memorized radio station (Preset Station).

**CD mode:** Quick press to skip to next song.

**CD Changer mode:** Quick press to skip to next song. Press and hold key to skip to the next album.

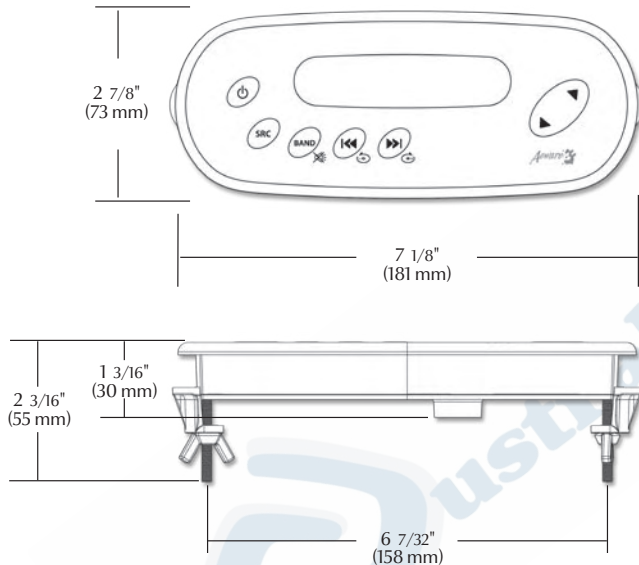


Up/Down keys ▲ ▼

Press **Up** or **Down** key to increase or decrease volume.



## Dimensions:



## General specifications:

## Environmentals:

Storage temperature: 70°C (158°F) to -30°C (-22°F)

Operating temperature: 60°C (140°F) to -20°C (-4°F)

Humidity: up to 95% condensing

## Mechanical Specs:

Weight: 0.52 kg (1.2 lbs)

Dimensions (W x H x D): Front Panel:

181 mm x 73 mm x 55 mm

(7 1/8" x 2 7/8" x 2 3/16") Soft gasket

## Standards:

UL 1563 Fifth Ed. File: E182156

CSA No. 22.2 - 218.1-M89



Specifications and design are subject to change without notice.

*Advanced electronics! Water resistance!*



*Aeware* **3**  
*by gecko*

**Gecko Alliance**

450 des Canetons, Quebec City (QC) G2E 5W6 Canada, 1.800.78.GECKO  
9225 Stellar Court, Corona, CA 92883 USA, 1.866.639.7274

[www.geckoalliance.com](http://www.geckoalliance.com)